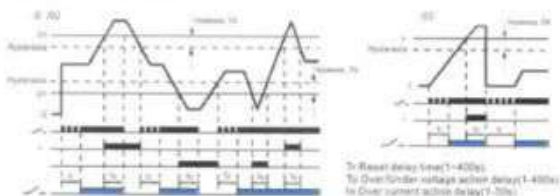


### Panel Diagram



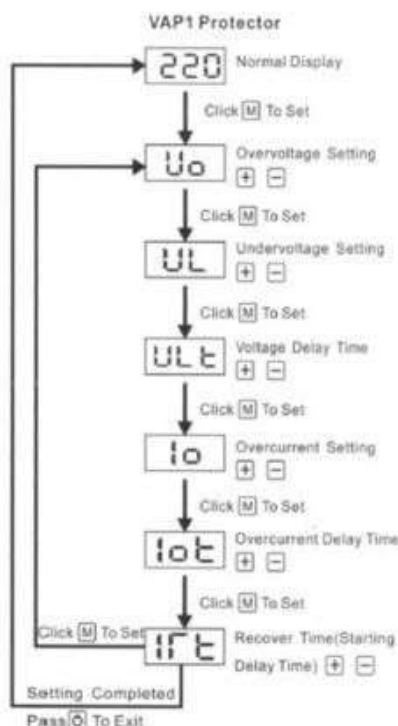
### Functions Diagram



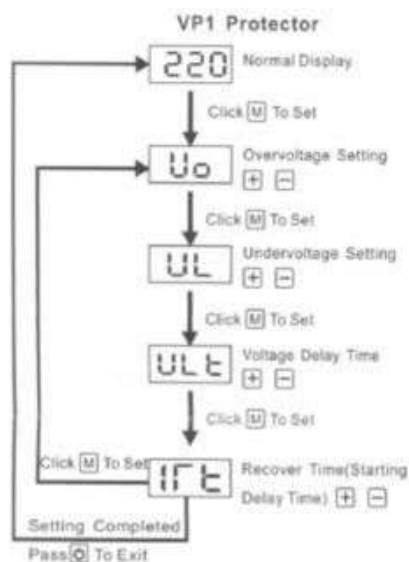
### Wiring Diagram and Dimensions(mm)



### FUNCTION SETTING



### FUNCTION SETTING



### After-sales Service

2 years warranty service will be promised to all products purchased except the factors of human or force majeure. Please refer to the sticker on the side of the product for the start date of the warranty. Note: For any reason, tearing off the sticker will void the product warranty.

Thank you very much for choosing our products, our company wholeheartedly provides you with more excellent products



RoHS of Electrical Parts  
All electrical parts made or assembled in compliance with current RoHS regulations.



Caution  
The product shall be installed by qualified personnel. All set electrical connections of the product shall comply with the applicable safety standards.

### Auto Reconnect Adjustable Voltage Current Protector



## PRODUCT MANUAL

### Technical parameters

Function	VP1	VAP1
Rated supply voltage	Over and under voltage	Over-voltage, under-voltage and over-current
Rated supply frequency	AC220V(L-N)	
Rated operational current	50/60Hz	
Burden	40A or 63A	
	AC max. 3VA	
Voltage display	✓	✓
Current display	✗	✓
Over voltage operation value	230V-300V(factory default: 275V)	
Under voltage operation value	140V-210V(factory default:175V)	
Over/under voltage action delay	1-400S	
Over current operation value	1A-63A(factory default: 63A)	
Over current action delay	1-30S	
Hysteresis	1%(U.L)	
Power-up delay /Reset time	1-400S	
Measurement error	±1%	
Mounting/DIN rail	Din rail EN/IEC 60715	
Dimensions	82 × 38 × 68mm	
Weight	130g	135g